



Assembly & Installation Instructions

CAUTION: Read instructions carefully and turn electricity off at main circuit breaker panel before beginning installation.

8745

WARNING - If any Special Control Devices are used with this Fixture, Follow the Instructions Carefully to assure full compliance with N.E.C. requirements. If there are any questions, contact a Qualified Electrical Contractor.

WARNING - This product contains chemicals known to the State of California to cause cancer, birth defects and /or other reproductive harm. Thoroughly wash hands after installing, handling, cleaning, or otherwise touching this product.

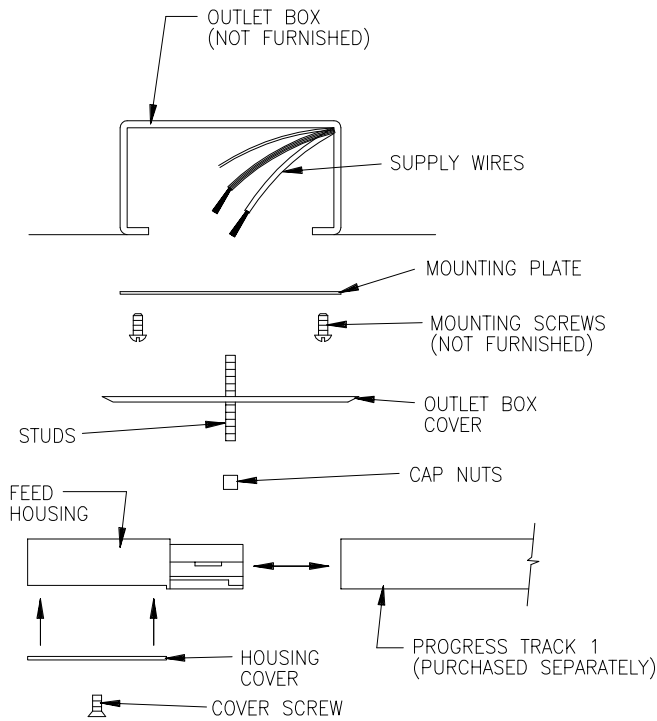
1. This TRACK ACCESSORY is to be used with PROGRESS TRAK 1 TRACK only.
2. DO NOT attempt to power this TRACK ACCESORY with any form of power supply cord from a wall receptable, or to attach any form of convenience receptable to this TRACK.
3. This TRACK ACCESSORY is to be supplied by a single branch circuit such as a 120 volt circuit with a grounded neutral.
4. Use of this TRACK SYSTEM with dimmers, timing controls, energy saving devices, special security switching, or other devices could creat a safety haard. Obtain professional advice before using this TRACK SYSTEM with other devices.

IMPORTANT SAFETY INSTRUCTIONS

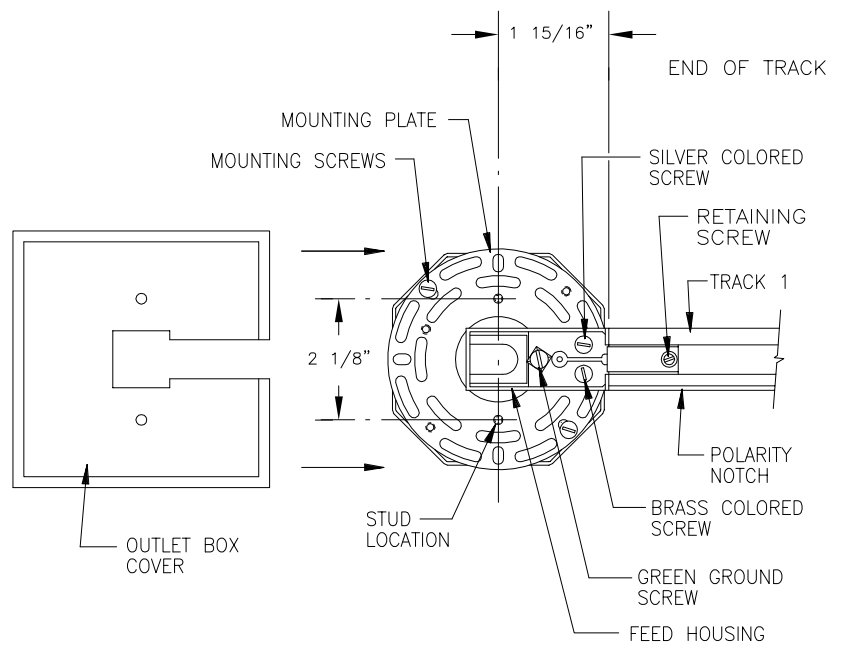
WHEN INSTALLING OR USING THIS TRACK SYSTEM, BASIC SAFETY PRECAUTIONS SHOULD ALWAYS BE FOLLOWED INCLUDING:

1. Read all instructions and TURN OFF ELECTRICITY at MAIN BREAKER box before installing, adding to, or changing the configuration of the TRACK. Also disconnect electrical power at the fuse or circuit breaker before servicing or re-lamping.
2. DO NOT install this TRACK ACCESSORY in a damp or wet location, or less than five (5) feet above the floor. TRACK MUST be installed in a location and a manner consistent with its intended use and in compliance with the NATIONAL ELECTRICAL CODE and with other, local ELECTRICAL CODES. TRACK must be GROUNDED to avoid potential electrical shock or other potential hazards. Polarity must be maintained throughout the installation.
3. DO NOT use this TRACK ACCESSORY for other than its intended use. DO NOT attempt to energize anything other than PROGRESS TRAK 1 TRACK from this TRACK ACCESSORY. To reduce the risk of fire and electric shock, DO NOT attempt to connect power tools, extension cords, appliances, and the like to this TRAK ACCESSORY.
4. DO NOT install any TRACK LIGHTING FIXTURE ASSEMBLY or ACCESSORY closer than six (6) inches from any curtain or similar combustible material.
5. All servicing, MUST be performed by a qualified service person.

SAVE THESE INSTRUCTIONS



(FIGURE 1)



(FIGURE 2)

WARNING: DO NOT turn on power until this FEED is fully installed in TRACK. Exposed CONDUCTORS become electrically LIVE and DANGEROUS immediately when power is turned on.

NOTE: This FEED will only fit into one end of TRACK with POLARITY NOTCH as shown in FIG. 2.

1. Install PROGRESS TRACK (PURCHASED SEPARATELY) according to the instructions supplied with the TRACK. End of TRACK must be located 1 15/16 INCHES from center of OUTLET BOX with POLARITY NOTCH oriented as shown (SEE FIG. 2).
2. Fasten MOUNTING PLATE to OUTLET BOX with MOUNTING SCREWS from OUTLET BOX. 2 1/8 INCH threaded HOLES must be oriented PERPENDICULAR to TRACK (SEE FIG. 2).
3. Remove COVER SCREW and HOUSING COVER from FEED HOUSING.
4. Slip SUPPLY WIRES down through MOUNTING PLATE and into top of FEED HOUSING.
5. Connect GROUND SUPPLY WIRE to GREEN GROUND SCREW. Connect WHITE SUPPLY WIRE to SILVER COLORED SCREW. Connect BLACK SUPPLY WIRE to BRASS COLORED SCREW. Tighten SCREWS securely.
6. Insert FEED HOUSING into TRACK as shown (SEE WARNING and NOTE above) and secure in place with RETAINING SCREW.
7. Slide OUTLET BOX COVER in place, between FEED HOUSING and OUTLET BOX, making sure HOLES in COVER line up with 2 1/8 INCH threaded HOLES in MOUNTING PLATE.
8. Thread STUDS into MOUNTING PLATE and thread CAPNUTS onto STUDS to secure OUTLET BOX COVER in place.
9. Replace HOUSING COVER and COVER SCREW.