

Start Here

- o Find a clear area in which to work.
- o Read through instructions provided with this fixture prior to starting assembly.

1. Take main body assembly (1) and thread lower nipple (2) into base of cluster assembly (A) approximately $\frac{1}{4}$ ".
2. Slip candle sleeve (3) over socket (B).
3. Slip candle chaser (4) over candle sleeve (3).

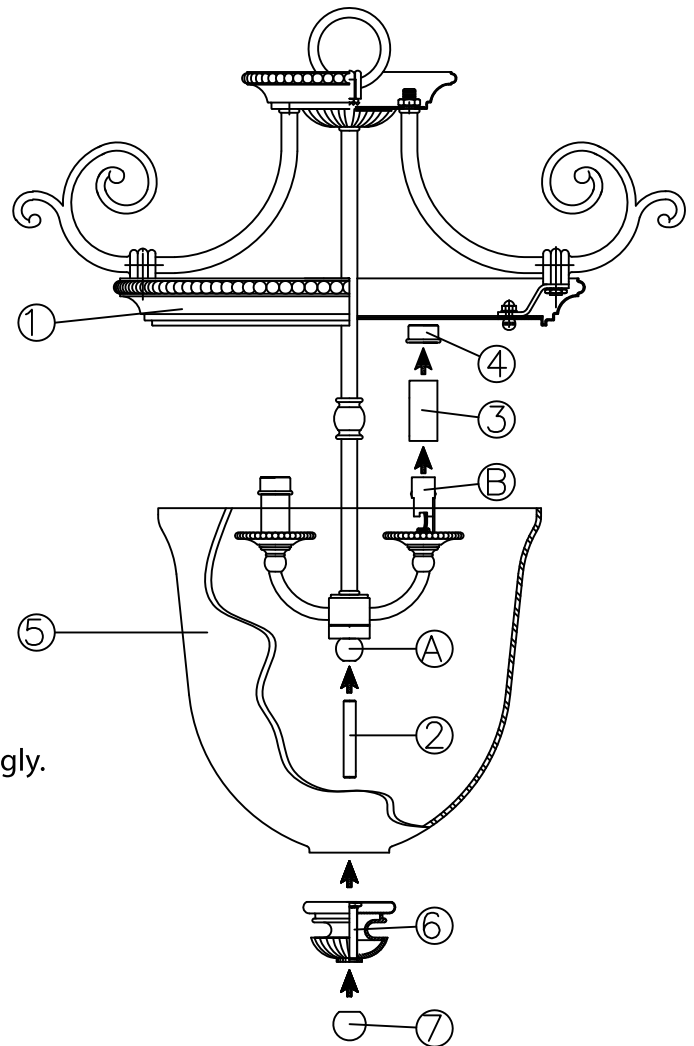
Fixture can now be mounted to the ceiling or hung from a chain. Please follow the appropriate mounting instructions provided.

GLASS INSTALLATION

Note: prior to installing glass fixture can be lamped accordingly.
Maximum wattage per bulb is 60 watts.

1. Slip glass (5) onto fixture.
2. While holding glass (5) in place, slip bottom cap (6) onto nipple (2) that was installed earlier.
3. While holding glass (5) and bottom cap (6) in place, thread bottom knob (6) onto end of nipple (2) that is exposed at the bottom of the fixture.

**CAUTION: HAND TIGHTEN BOTTOM KNOB ONLY!
OVER TIGHTENING WITH ANY TYPE OF TOOL COULD
CAUSE GLASS DAMAGE**



Mounting instructions for hanging option

1. Shut current off before starting. If the fixture you are replacing is turned on and off by a wall switch, simply turn the switch off. If not, remove the appropriate fuse (or open the circuit breakers) until the fixture is dead. Do not restore current – either by fuse, breaker or switch – until the new fixture is completely wired and in place.

2. Fasten mounting strap (1) to outlet box (A) with the original outlet box screws (2).

3. Thread nipple (3) in to the mounting strap (1), as illustrated. Tighten nut (8) against mounting strap (1) to lock nipple in place.

4. Thread loop (4) on to end of nipple (3).

5. Slip canopy (B) over loop (4) and adjust height of loop so half of thread area is exposed. (see Drawing 3 below)

6. Taking the chain, determine the length you require, and attach one end of the chain to the fixture. Now slip loop collar (4A) and canopy (B) onto chain.

7. Now attach other end of chain to loop (4). Please get assistance during this step. Since fixture may be heavy and difficult to hold while attaching chain.

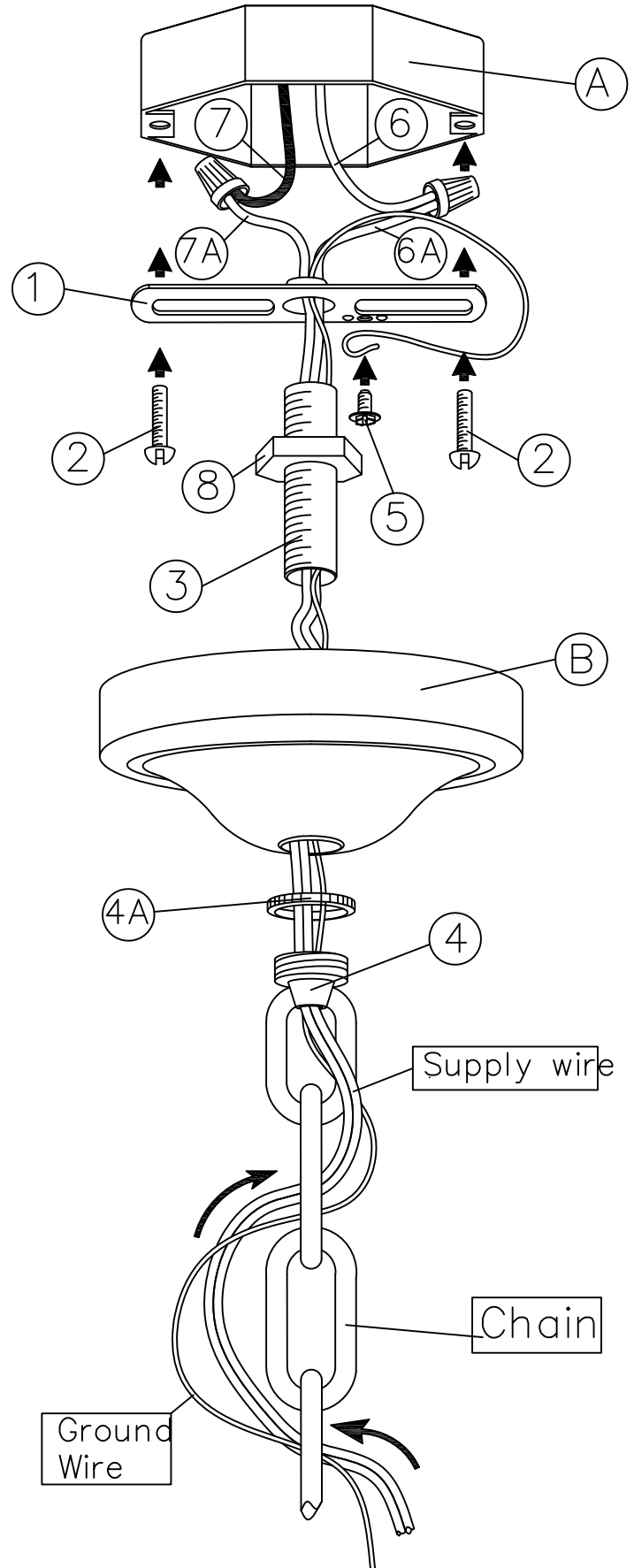
8. Unwrap supply wire and ground wire and weave them up through the chain. Then slip supply wire and ground wire through center of loop (4).

9. Connect ground wire to mounting strap (1) using green ground screw (5).

10. Now connect outlet box wires to fixture leads.

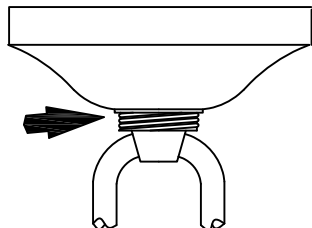
Important: connect white outlet box wire (6) to ribbed or white fixture lead (6A). Then connect black or red outlet box wire (7) to smooth or black fixture lead (7A).

11. Slip canopy up firmly against the ceiling, and secure by turning the threaded collar (4A) on loop (4) until tight.

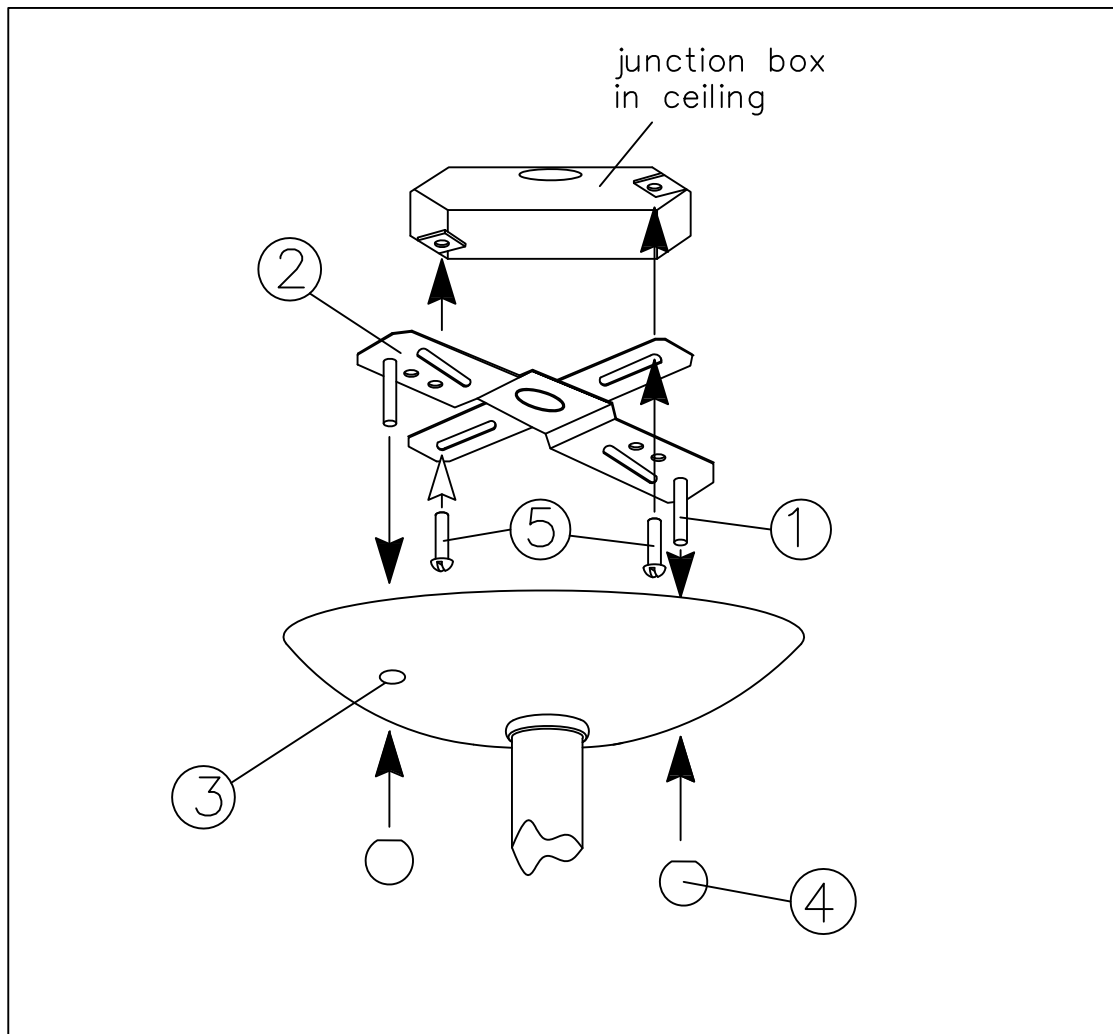


drawing 3

half of thread area of loop (4) is to be exposed. This will allow collar (4A) to be threaded on later.



Mounting Instructions for Flush Mount



1. Shut current off before starting. If the fixture you are replacing is turned on and off by a wall switch, simple turn the switch off. If not, remove the appropriate fuse or open the circuit breaker. Do Not restore current until the new fixture is completely wired and in place.
2. Thread 2 long 8-32 (1) screws provided, into the mounting strap (2). (Note: The 2 screws should be threaded into the qull wing shaped part of the mounting strap. With the flat part of strap facing up.) Make sure screws are threaded into holes that line up with the holes in the canopy (3).
3. Attach mounting strap to junction box with 2 short 8-32 screws (5) provided.
4. Make wire connection following wiring instructions below.
5. After making appropriate wire connections. Slip canopy of fixture over screws (1) and secure fixture with ball knobs (4)